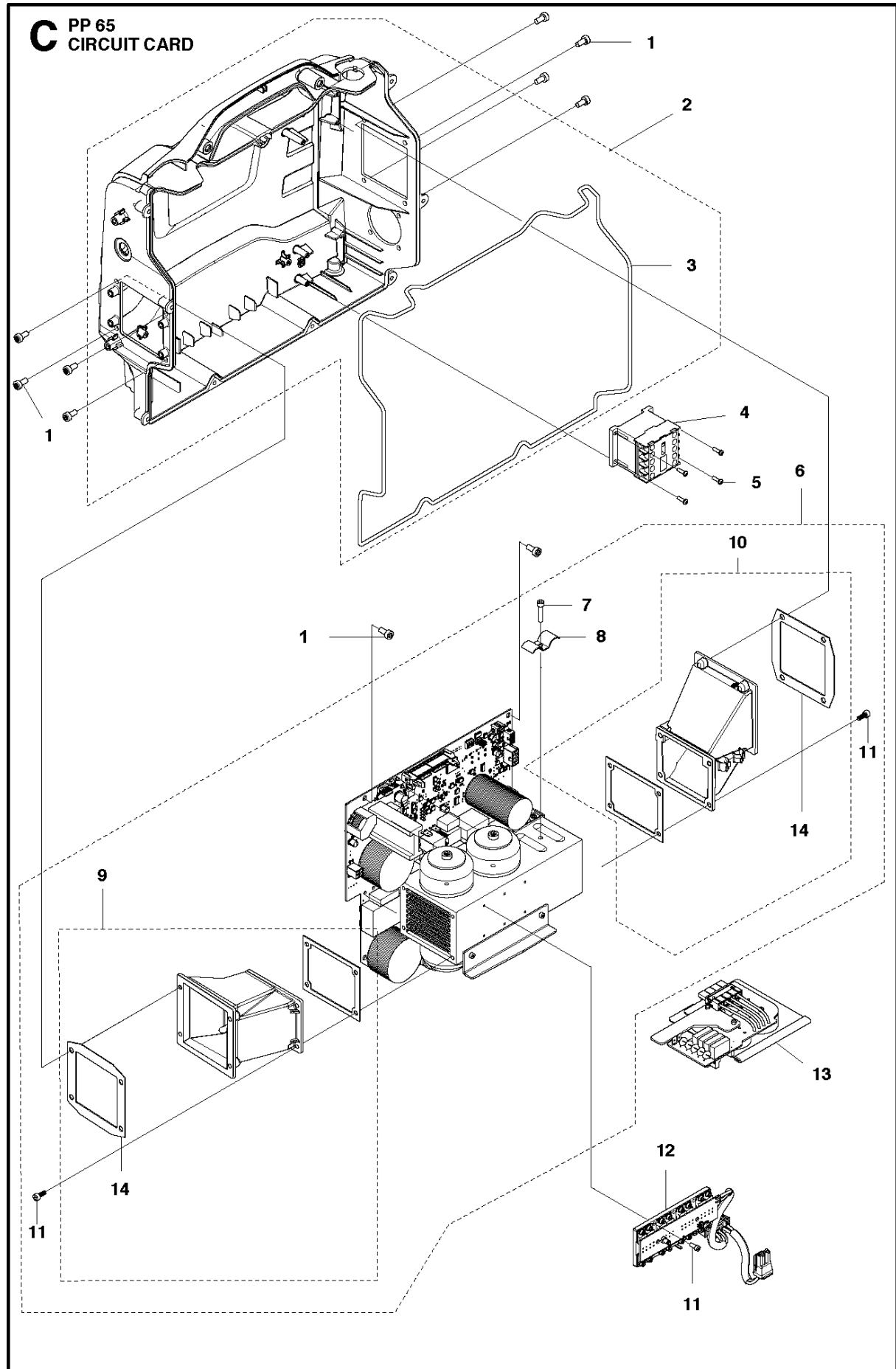




SPARE PARTS LIST

POWER PACKS

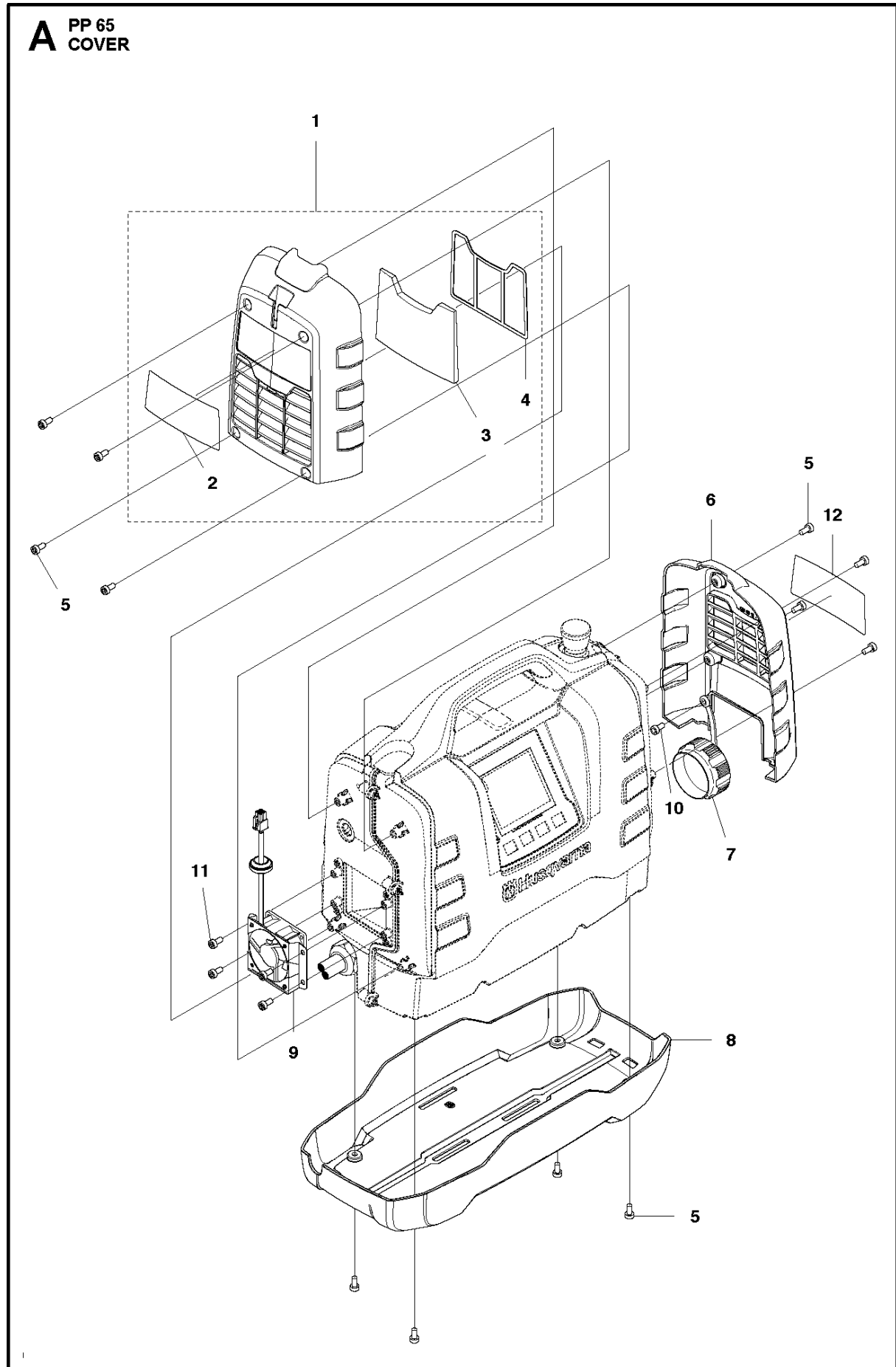
PP65, Valid for S/N: 20163400001 and
forward



CIRCUIT CARD

PP65, Valid for S/N: 20163400001 and forward

Ref	Part No	Description	Remark	QTY	KIT
1	504 61 09-03	SCREW ITPANT		12	
2	585 03 84-02	MAIN BODY		1	
3	525 61 70-05	SEALING		1	2
4	578 34 70-01	CONTACTOR		1	
5	578 77 61-02	SCREW ITPANT		4	
6	585 05 08-02	CIRCUIT BOARD		1	
7	725 53 29-55	SCREW IHSCM		1	6
8	584 64 43-01	CLIP		1	6
9	585 03 86-01	AIR CONDUCTOR		1	
10	585 03 87-01	AIR CONDUCTOR		1	6
11	725 52 89-05	SCREW IHSCM		21	6
12	587 16 43-01	PRINTED CIRCUIT ASSY		1	
13	581 30 33-04	PRINTED CIRCUIT ASSY		1	
14	574 37 54-02	SEAL		2	

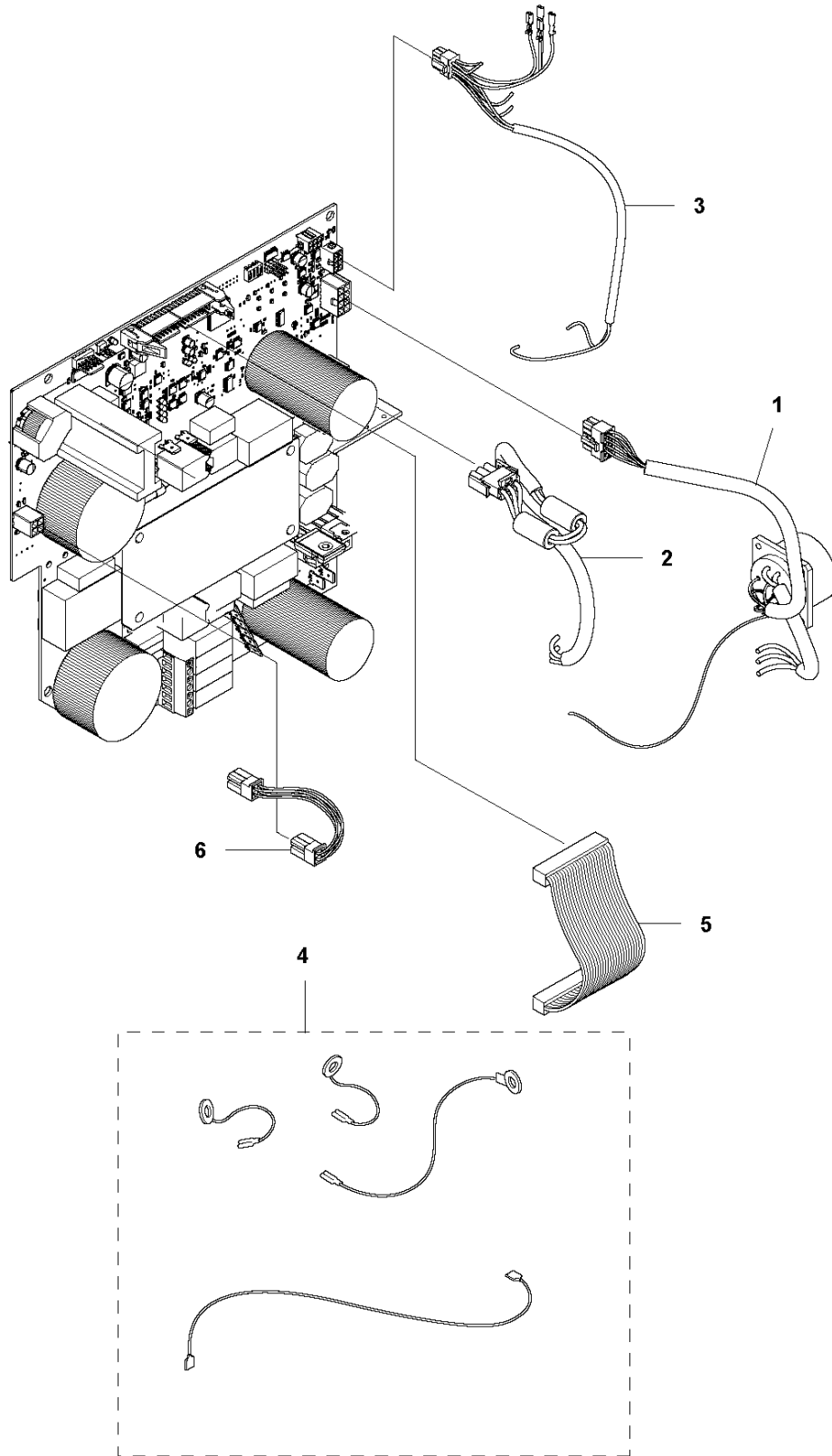


COVER

PP65, Valid for S/N: 20163400001 and forward

Ref	Part No	Description	Remark	QTY	KIT
1	585 03 53-02	COVER	EU, AUS	1	
1	585 03 53-03	COVER	US, JP	1	
2	575 74 59-02	LABEL	EU, AUS	1	1
2	575 74 59-03	LABEL	US, JP	1	1
3	575 77 43-01	FILTER		1	
4	575 84 43-01	PLATE		1	
5	504 61 09-03	SCREW ITPANT		12	
6	522 92 19-01	COVER		1	
6	587 21 47-01	COVER	Incl decal, NA & AUS only	1	
7	525 73 44-01	LID		1	
8	522 92 24-01	BOTTOM		1	
9	585 03 55-01	FAN		1	
10	504 90 94-10	SCREW ITXSCT		1	
11	729 52 89-71	SCREW CRPANT		4	
12	586 86 00-01	LABEL	NA & AUS only	1	

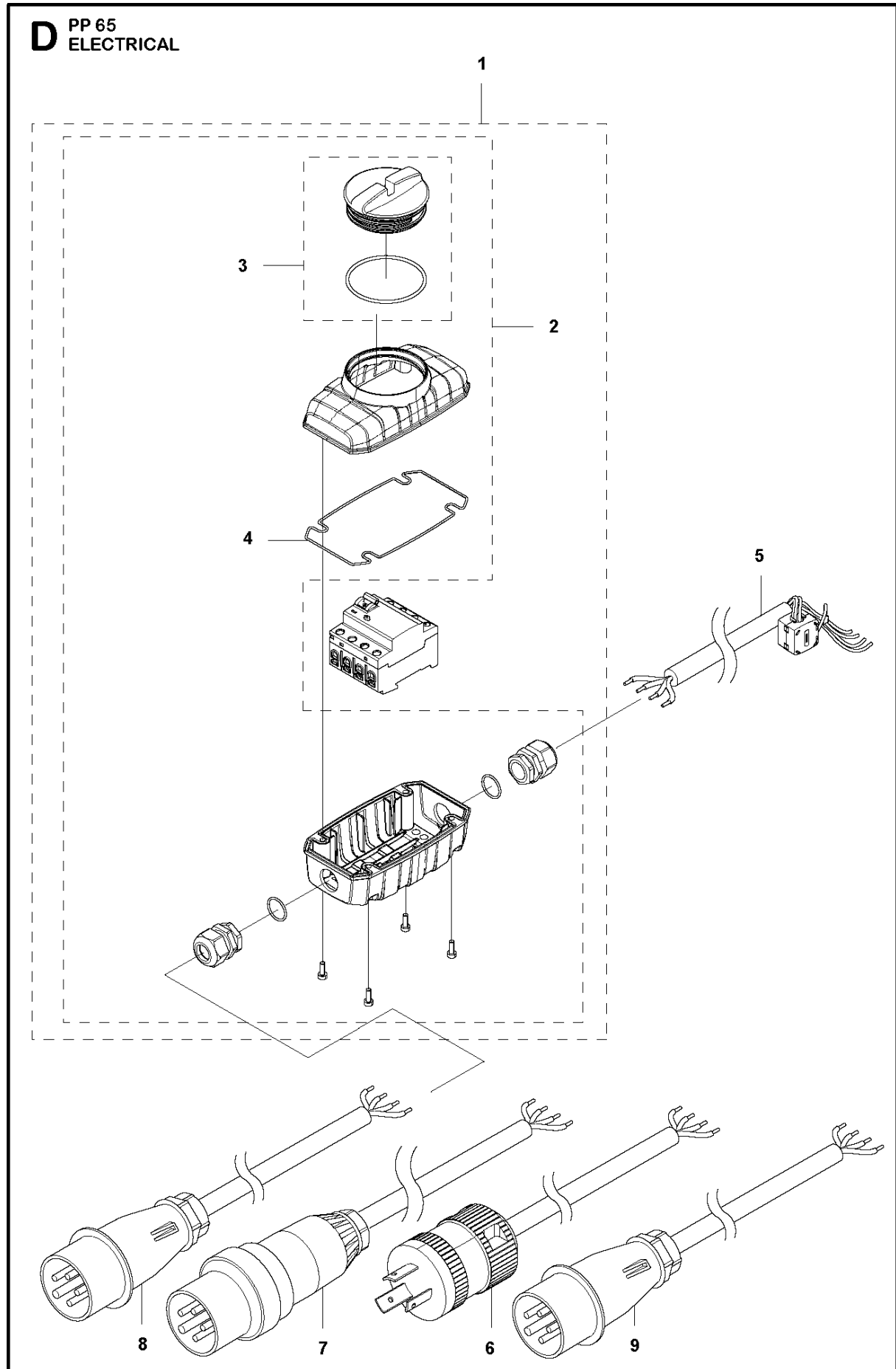
E PP 65
ELECTRICAL



ELECTRICAL

PP65, Valid for S/N: 20163400001 and forward

Ref	Part No	Description	Remark	QTY KIT
1	525 73 47-01	CABLE ASSY		1
2	575 81 11-01	CABLE ASSY		1
3	575 81 07-01	CABLE ASSY		1
4	589 34 88-01	GROUND CABLE		1
5	575 81 06-01	CABLE ASSY		1
6	573 92 85-01	CABLE		1

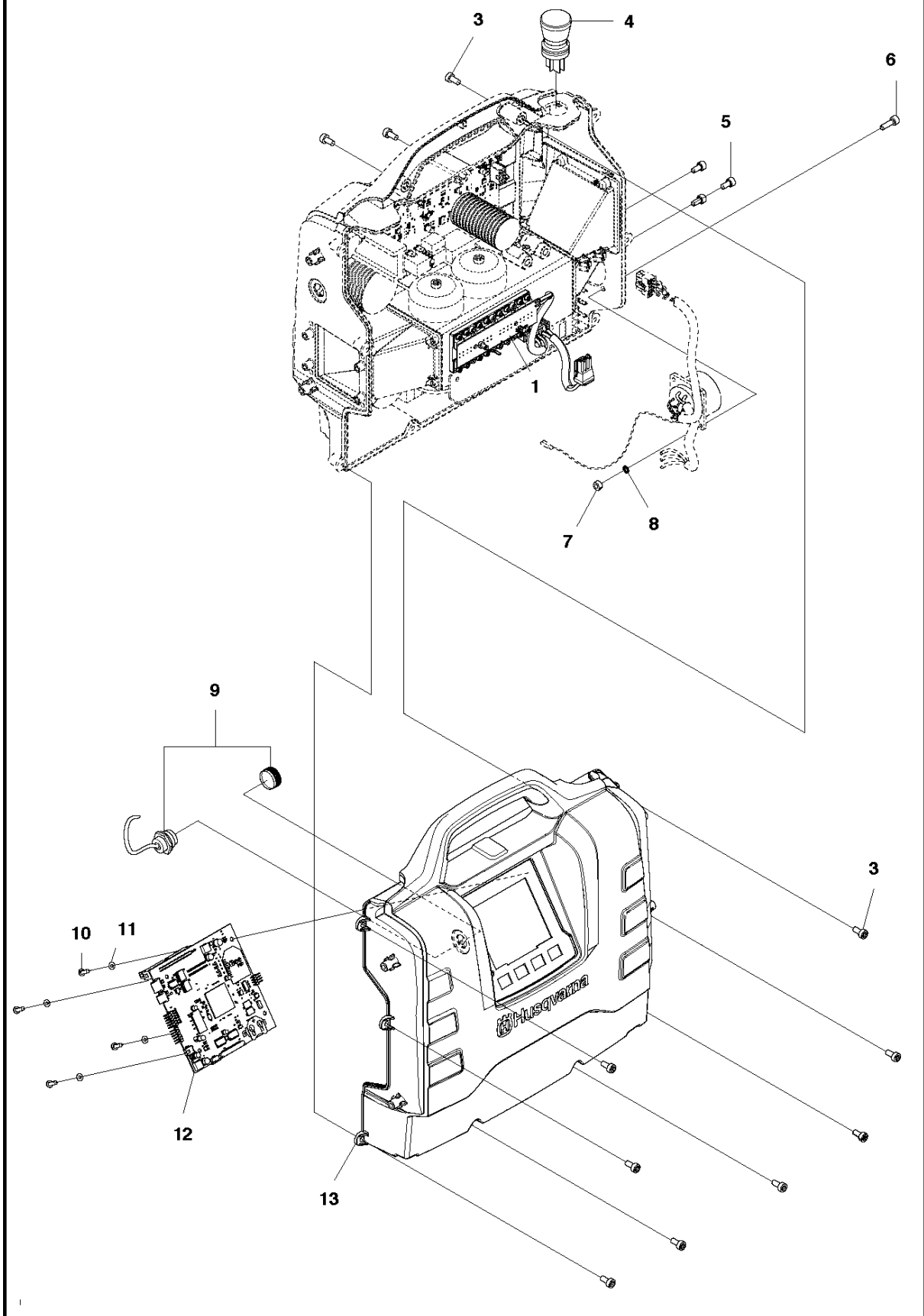


ELECTRICAL

PP65, Valid for S/N: 20163400001 and forward

Ref	Part No	Description	Remark	QTY	KIT
1	577 27 24-02	PRCD		1	
2	589 33 59-01	BOX		1	
3	585 03 89-01	LID		1	1
4	577 26 23-01	O-RING		1	1
5	577 50 29-05	CABLE ASSY	AUS	1	
5	577 50 29-06	CABLE ASSY	Japan Only	1	
5	577 50 29-07	CABLE ASSY	EU	1	
5	577 50 29-08	CABLE ASSY	US	1	
6	576 47 25-02	CABLE ASSY	AUS	1	
7	576 47 25-05	CABLE ASSY	EU	1	
8	576 47 25-06	CABLE ASSY	US	1	
9	576 47 25-03	CABLE ASSY	Japan Only	1	

B PP 65
SWITCH



SWITCH

PP65, Valid for S/N: 20163400001 and forward

Ref	Part No	Description	Remark	QTY KIT
1	587 16 43-01	PRINTED CIRCUIT ASSY		1
3	504 61 09-03	SCREW ITXPANT		11
4	582 73 74-01	STOP SWITCH ASSY		1
5	725 53 25-55	SCREW IHSCM		3
6	725 53 29-55	SCREW IHSCM		1
7	731 23 14-01	HEXAGON NUT		1
8	735 21 46-01	LOCKWASHER		1
9	586 14 66-02	CONTACT		1
10	578 77 61-03	SCREW ITXPANT		4
11	576 97 48-01	WASHER		4
12	586 71 18-01	PRINTED CIRCUIT ASSY		1
13	585 03 57-02	MAIN BODY		1